

## Temperature Detector in Sleeve Bearing Case Style A, Babbitt Method

### Suggested installation procedure

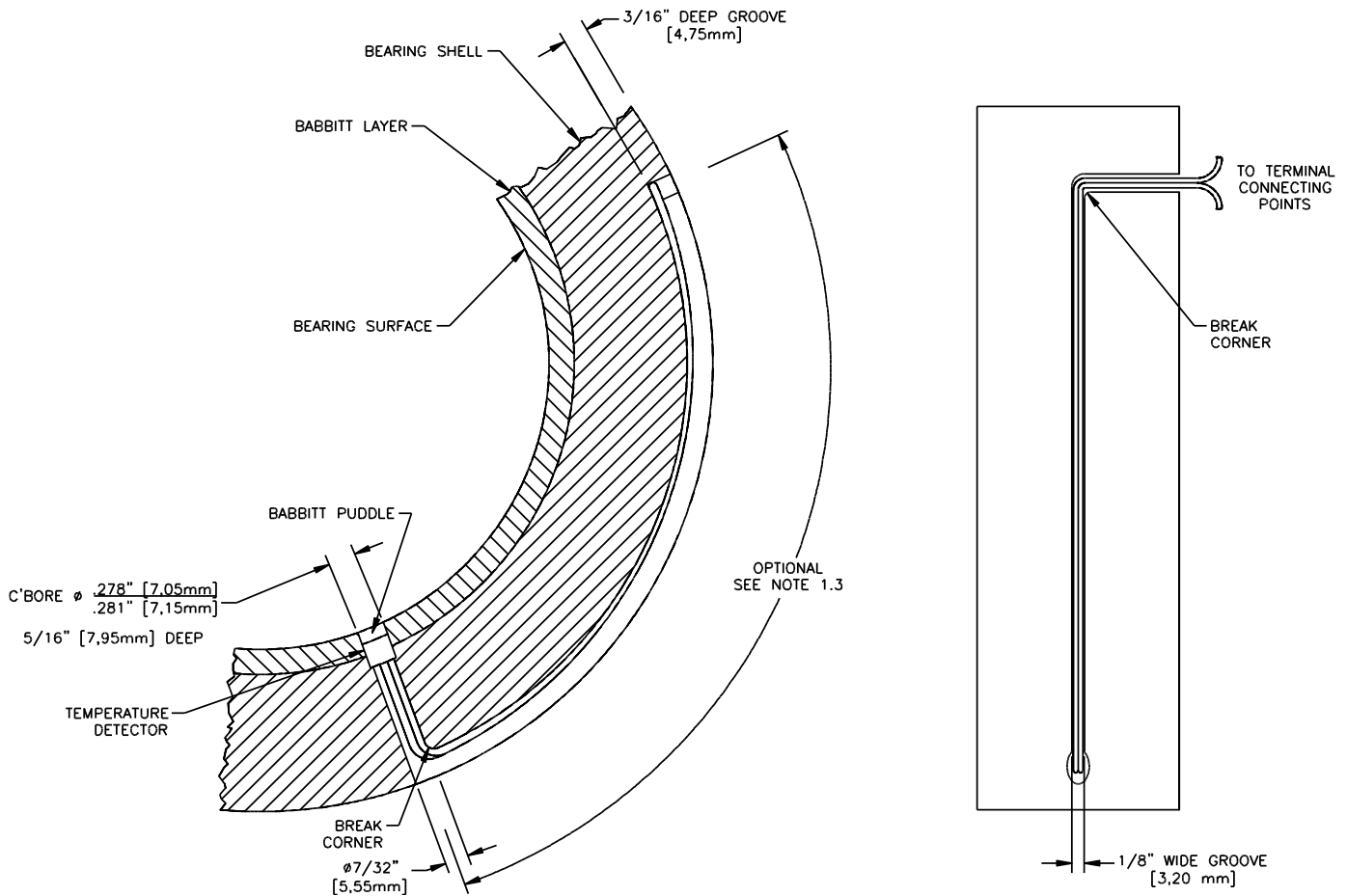
**NOTE:** For easier installation, sensors may be purchased with babbitt tips already applied. See specification drawings for complete details.

1. Drill a 7/32" (5,55mm) diameter radial hole through the babbitt layer and bearing shell in the desired location.
2. Counterbore a .278/.281" (7,05/7,15mm) diameter hole, 5/16" (7,95mm) deep from the bearing surface, using a 9/32" (7,15mm) diameter counterbore with a 7/32" (5,55mm) diameter pilot. Break or chamfer corners to remove sharp edges.
3. Mill a groove in back of the bearing shell 1/8" (3,20mm) wide by 3/16" (4,75mm) deep. The groove should extend from the 7/32" (5,55mm) diameter hole to where the leadwires exit the bearing. Terminal connection points must be located within the leadwire length of the temperature detector being installed.
4. Thoroughly clean machined surfaces so they are free of oil, chips, etc. Also, make sure the detector case is clean.
5. Insert the leadwires of the detector in the .278/.281" (7,05/7,15mm) diameter counterbored hole, then extend the leadwires through the 7/32" (5,55mm) diameter hole in the bearing shell. Carefully draw the leadwires through the hole: make certain they are not kinked or damaged. **DO NOT** pull the leadwires to seat the detector case in the .278/.281" (7,05/7,15mm) diameter hole. Gently guide the case into the hole and push into place. The end of the case should be about 1/16" (1,60mm) below the bearing surface when the detector is properly seated.
6. Fill the hole above the detector with shavings or small pieces of babbitt: use enough babbitt to cover the end of the detector case and extend slightly above the bearing surface after melting.
7. Use a small gas flame to heat and melt the edge of the babbitt layer surrounding the detector tip. **DO NOT** allow the flame to contact the detector case. **DO NOT** concentrate the flame in one place for any length of time. **KEEP THE FLAME MOVING.** The babbitt must be melted to fusion-bond to the detector case, but must not be heated to a temperature that will damage the detector. The detector may be exposed to temperatures as high as 572°F (300°C) for short periods of time. If needed, add babbitt to fill the hole flush or slightly above the bearing surface.

DR: <u>OCT 12-07-93</u>	Minco CAGE IDENT. 09359	Engineering Instruction 164 ECO #43020, Rev E
CHK: <u>DLW 12-07-93</u>		
ENG: <u>DLW 12-07-93</u>		
APP: <u>DLW 04-20-05</u>		
		Page 1 of 2

8. Scrape off excess babbitt and dress to create a smooth, unbroken surface.
9. Lay leadwires flat in the bottom of the milled groove in the bearing shell. Pot the leadwires in the groove using an epoxy or other suitable potting compound compatible with the bearing shell material, temperature, and service conditions.

**NOTE:** Although the illustration below depicts a sleeve bearing, the above installation procedure can be used with other types of bearings, and also with equipment other than bearings.



Minco (Main Office)  
7300 Commerce Lane  
Minneapolis, MN  
55432  
USA  
Tel: 1.763.571.3121  
Fax: 1.763.571.0927

Customer Service/  
Order Desk:  
Tel: 1.763.571.3123  
Fax: 1.763.571.0942  
custserv@minco.com  
m  
www.minco.com

Minco S.A.  
Usine et Service  
Commercial, Z.I.  
09310 Aston, France  
Tel: (33) 5 61 03 24  
01  
Fax: (33) 5 61 03 24  
09

Minco EC  
Hirzenstrasse 2  
CH-9244 Niederuzwil  
Switzerland  
Tel: (41) 71 952 79  
89  
Fax: (41) 71 952 79  
90

ISO 9001: 2000

EI 164 (E)  
© Minco 04-2005

**MINCO**

www.minco.com