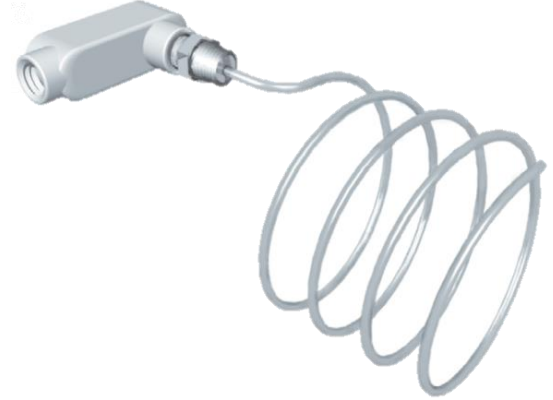


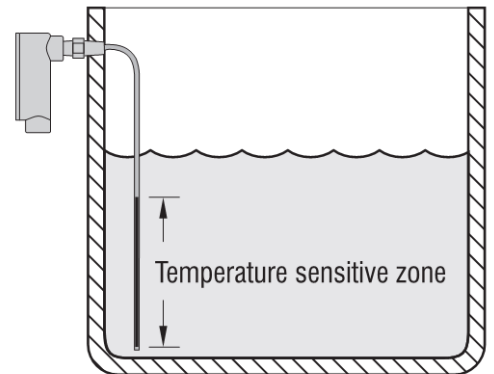
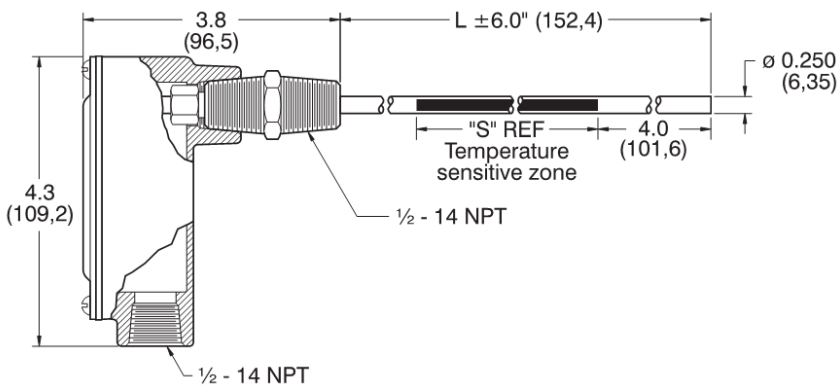
# Sump Temperature Sensor

## Measure overall tank temperature with a single sensor!

- Monitor water or chemical solution temperature in cooling tower sumps, storage tanks
- True continuous averaging sensor eliminates errors due to temperature stratification
- Stainless steel case is rugged and impervious to most chemicals
- Bend or manipulate the probe to accommodate a variety of sump and tank designs
- You can specify the overall probe length and the length of the temperature sensitive zone to fully immerse the sensitive zone in liquid
- NEMA 4 weatherproof connection head
- Optional 4 to 20 mA temperature transmitter



### Dimensions in inches (millimeters):



## Specifications

**Temperature range:** -50°F to 275°F (-45°C to 135°C).

**RTD Probe:** 100 Ω platinum equivalent, 0.00385 TCR element in a 304 stainless steel bendable case.

**Leads:** AWG 22, Teflon insulated, 8 inches in length.

## How to order

S100479	Model Number
PE	100 Ω platinum curve RTD
12	Insertion length L in feet Standard lengths = 6, 12, 18, 24
&	Number of leads Y = 2 leads Z = 3 leads
6	Sensing length S in feet Standard lengths = 3, 6, 9, 12
Sample part number: S100479PE12Z6	

