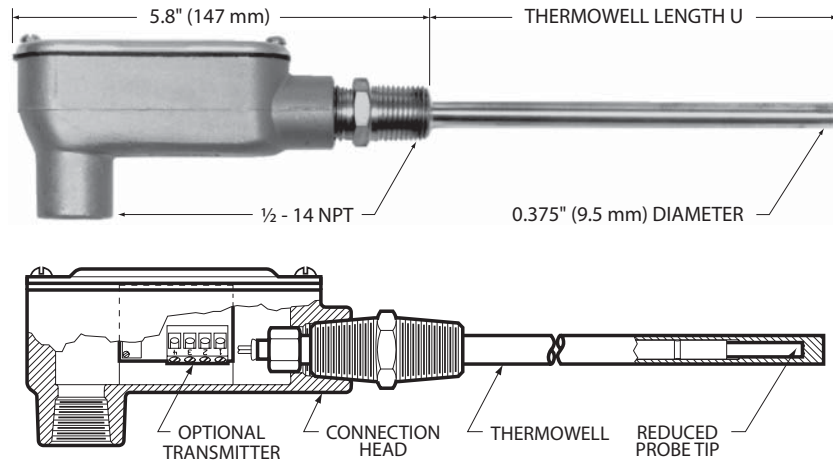


# Fluid Immersion Temperature Sensors



## Overview

Immersion sensors include stainless steel thermowells for insertion directly into fluid streams. The sensing probe may be removed without breaking the fluid seal. Brass thermowells are also available.

See page 5-2 for optional 4 to 20 mA temperature transmitters.

## Specifications

**Temperature range:** -45.5 to 260°C (-50 to 500°F).

**Leadwires:** AWG 22, PTFE insulated, 4" (100 mm) long.

**Thermowell pressure rating:** 1880 psi (130 bar).

**Moisture resistance:** Meets MIL-STD-202, Method 104, Test Condition B.

## Model numbers

Element	TCR Ω/Ω/°C	Model number
Platinum 100 Ω ±0.1% at 0°C	0.00391	S478PB
Platinum 100 Ω ±0.1% at 0°C (Meets EN60751, Class B)	0.00385	S479PD
Platinum 1000 Ω ±0.1% at 0°C	0.00385	S480PF
Platinum 1000 Ω ±0.1% at 0°C	0.00375	S490PW*
Nickel-iron 1000 Ω ±0.12% at 70°F	0.00527	S476FB*
Nickel-iron 2000 Ω ±0.12% at 70°F	0.00527	S477FC*
HW 3000 Ω at -30.2°C	0.00262	S100061PX*

\* Maximum temperature is 130°C (266°F).

*Note: These sensors are intended for use in slow-moving fluid streams. For applications where fluid velocity exceeds 3 ft/s, you may need to use a thermowell assembly as an alternative. Please consult Access: Minco Sales and Support for technical guidance.*

## Specification and order options:

### Fluid immersion temperature sensors

S479PD	Model number from table
Y	Number of leads: Y = 2 leads Z = 3 leads
60	Thermowell length U: Specify in 0.1" increments (Ex: 60 = 6.0 inches) Standard thermowell lengths are 3" and 6", contact factory for other lengths
S479PDY60 = Sample part number	

### Replacement stainless steel thermowells

TW488	Model number
U	
60	Thermowell length U: Specify in 0.1" increments (Ex: 60 = 6.0 inches) Standard thermowell lengths are 3" and 6", contact factory for other lengths
TW488U60 = Sample part number	

**Specify and order products at:**  
[www.minco.com/sensors\\_config](http://www.minco.com/sensors_config)

Specifications subject to change

Page Rev. 04/2011

