

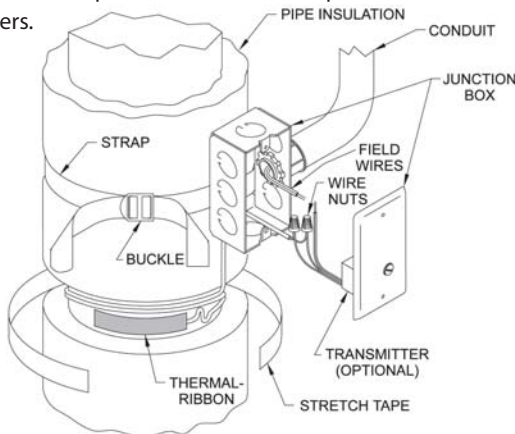
# Flexible Thermal-Ribbon™ Pipe Sensors

## Overview

Flexible Thermal-Ribbon™ sensors mount on the pipe surface so there's no expense of a pipefitter to drain, drill, and tap the pipe for a thermowell because there is no thermowell! When properly installed and insulated, the accuracy and response of a Thermal-Ribbon equals an immersed thermowell assembly.

Options include stainless steel braid over leadwires to prevent abrasion damage and pressure-sensitive adhesive for easier mounting (smooth surfaces only).

See Section 5 for optional 4 to 20 mA temperature transmitters.



Note: Tape the Thermal-Ribbon in place beneath a layer of insulation.

## Mounting accessories:

### AC766 mounting kit

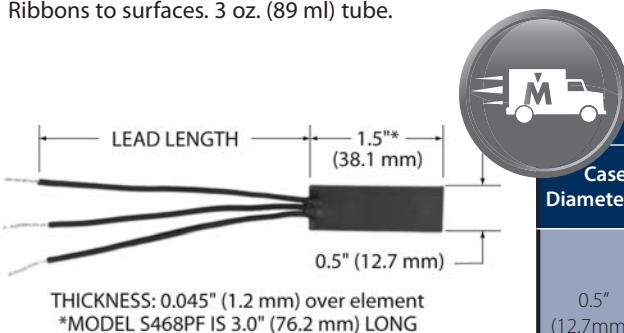
Provides a pipe-mounted enclosure for transmitters and connections. Kit includes junction box, 5 ft. nylon strap, buckle, 4 wire nuts, and 6 ft. of #20 stretch tape.

### #20 stretch tape

High temperature self-fusing silicone rubber tape for mounting Thermal-Ribbons to pipes. 1" wide rolls, 6 or 36 foot lengths.

### #6 RTV adhesive

Room temperature vulcanizing adhesive for attaching Thermal-Ribbons to surfaces. 3 oz. (89 ml) tube.



Specify and order products at:  
[www.minco.com/sensors\\_config](http://www.minco.com/sensors_config)

## Specifications

**Body material:** Silicone rubber with polyimide backing.

### Temperature range:

RTD: -62 to 200°C (-80 to 392°F).

Thermistor: -45.5 to 135°C (-50 to 275°F).

**Leadwires:** AWG 24, silicone rubber.

**Moisture resistance:** Meets MIL-STD-202, Method 104, Test Condition B.

## Model numbers

Element		TCR $\Omega / \Omega / ^\circ\text{C}$	Model
<b>RTDs</b>			
Platinum	100 $\Omega \pm 0.1\%$ at 0°C	0.00391	S464PB
Platinum	100 $\Omega \pm 0.1\%$ at 0°C (Meets EN60751, Class B)	0.00385	S467PD
Platinum	1000 $\Omega \pm 0.1\%$ at 0°C	0.00385	S468PF
Nickel-iron	1000 $\Omega \pm 0.12\%$ at 70°F	0.00527	S462FB
Nickel-iron	2000 $\Omega \pm 0.12\%$ at 70°F	0.00527	S463FC
HW	3000 $\Omega$ at -30.2°C	0.00262	S100001PX
<b>Thermistors</b>			
		<sup>R25</sup> / <sub>R125</sub>	
Thermistor	2,252 $\Omega \pm 1\%$ at 25°C	29.2	TS436TA
Thermistor	10,000 $\Omega \pm 1\%$ at 25°C	23.5	TS437TB

## Specification and order options

S467PD	Model number from table
Z	Number of leads: Y = 2 leads Z = 3 leads (RTD only) YS = 2 leads, stainless steel braid ZS = 3 leads, stainless steel braid (RTD only)
36	Lead length in inches
A	Adhesive backing: A = No adhesive B = Pressure-sensitive adhesive
S467PDZ36A = Sample part number	

## STOCKED PARTS

Case Diameter	Sensing Element	Case Material	# of Lead-wires	Lead Length	Lead Covering	Case Length	Stock Part #
0.5" (12.7mm)	FB	Silicone Rubber w/ Polyimide Backing	2	36"	Silicone Rubber	0.5"	S462FBY36B
	FC	Silicone Rubber w/ Polyimide Backing	2	36"	Silicone Rubber	0.5"	S463FC36A
	PD	Silicone Rubber w/ Polyimide Backing	3	36"	Silicone Rubber	0.5"	S467PDZ36A
						0.5"	S467PDZ36B

Note: Available up to 10 pieces or contact Minco Customer Service

Specifications subject to change

Page Rev. 04/2011

