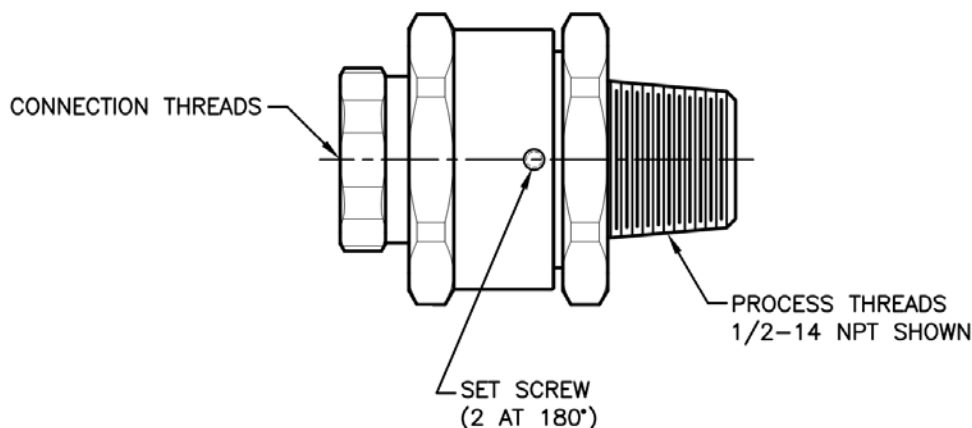


FG212474 Union Assembly

 II 2 G Ex d e IIC Gb IP65
 IECEx Ex d e IIC Gb IP65
 -40°C to +90°C



1. Description

Minco's union assembly has male 'process thread' sizes of 1/2" NPT, 3/4" NPT, 7/8" UNF, and M20; and female 'connection thread' sizes of 1/2" NPT, 3/4" NPT and M20. The union assembly is intended for inline connection into a flameproof enclosure or fitting having male or female threads.

- The fittings may be ordered in stainless steel in grades of type 303 or type 316.
- Once assembled in the desired position, the threaded collar is locked in position by one or two locking set screws, which are positioned 180° radially from each other.
- Unions are ingress protection rated to IP65.

2. Schedule of Limitations

- The union, when used in flameproof applications, must not be closed with a flameproof stopping plug.
- The 'male adapter' has the option of two parallel process thread options (metric and UNF) which have a 3.5 mm (maximum) undercut at the base of the entry thread, and therefore must only be fitted into a flameproof enclosure with entries having a minimum of 14mm full thread form measured from the external surface.
- As an alternative to the previous limitation, the flameproof gland must be fitted with a non-detachable, non-compressible washer having a minimum thickness of 2mm between the head of the gland and enclosure.
- When process or connection threads are of parallel thread form, additional measure must be taken to seal the threads in order to maintain the union's IP65 rating.

3. Attestation of Conformity

Union Assembly: Series FG212474

The product defined above conforms to:

EN 60079-0:2012 Explosive atmospheres - Part 0: Equipment - General requirements

EN 60079-1:2007 Explosive atmospheres - Part 1: Equipment protection by flameproof enclosures "d"

EN 60079-7:2007 Explosive atmospheres - Part 7: Equipment protection by increased safety "e"

IEC 60079-0:2011 Explosive atmospheres - Part 0: Equipment - General requirements

IEC 60079-1:2007-04 Explosive atmospheres - Part 1: Equipment protection by flameproof enclosures "d"

IEC 60079-7:2006-07 Explosive atmospheres - Part 7: Equipment protection by increased safety "e"

Certificate Baseefa14ATEX0192U

Certificate IECEx BAS 13.0085U

Quality Assurance Notified Body:

DEKRA Certification B.V. (0344)

Meander 1051

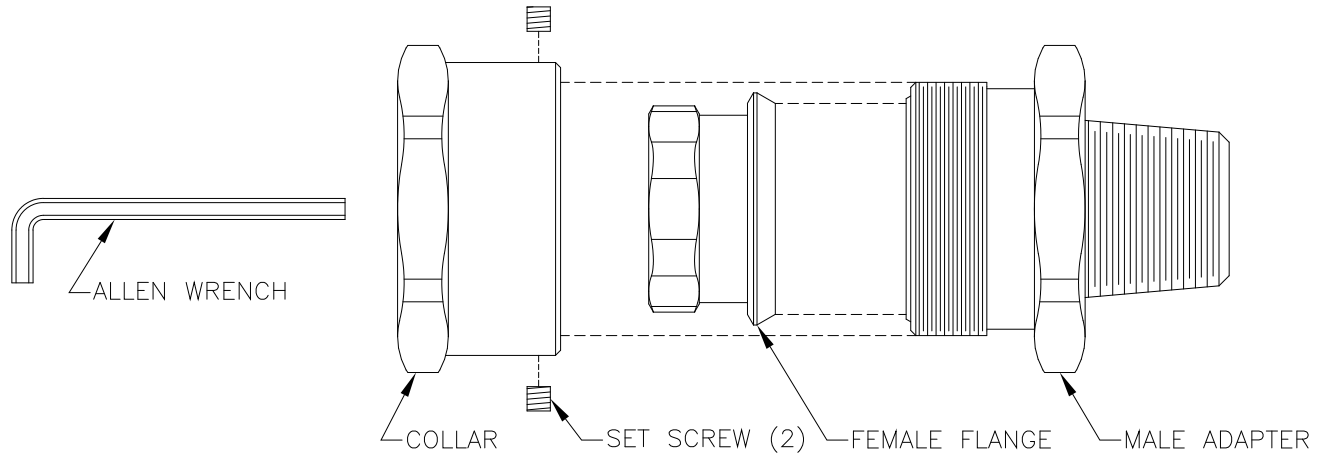
6825 MJ Arnhem

The Netherlands

Rob Bolland 08 August 2014

FG212474 Union Assembly, Continued

4. Installation



The union assembly package includes a male adapter, female flange, threaded collar, 2 set screws, and an allen wrench.

1. Thread the process thread of the male adapter into the enclosure or machine threads.
2. Pass the conductors through the enclosure or machine and union assembly.
3. Place the female flange onto the end of the male adapter, aligning the serrated flamepaths, and thread the collar onto the male adapter by hand. The male adapter and the female flange will be held together by the threaded collar. Lightly wrench tighten the threaded collar.
4. Using the allen wrench, tighten at least one of the set screws to lock the threaded collar in position.
5. Add an enclosure or other conduit fitting by threading into the threads of the female flange.

Minco Global Headquarters
7300 Commerce Lane
Minneapolis, MN 55432 USA
Tel 1.763.571.3121
Fax 1.763.571.0927
custserv@minco.com
www.minco.com

Minco Europe
Zone Industrielle
09310 Aston, France
Tel (33) 5 61 03 24 01
Fax (33) 5 61 03 24 09
custserv.europe@minco.com

Minco Asia Pacific
Level 26, PSA Building
460 Alexandra Road
Singapore 119963
Tel (65) 6809 3081
Fax (65) 6809 3050
custserv.ap@minco.com

ISO 9001:2008
AS9100:2009
© Minco 2014
SPI 00-0801 (A)
Stock # 290-211742
IFS 1919236



Flex Circuits
Thermofoil™ Heaters
Sensors
Instruments