

## Dual Temptran™/Explosionproof Connection Head Assembly

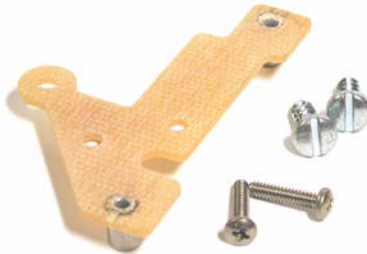
The Temptran™ mounting accessories fit in the connection heads as listed in the table below:

Mounting Kit	Connection Head
AC103528	CH105, CH107, CH328, CH330, CH342, CH343, CH357, CH358
AC103133 & AC103625	CH106, CH306, CH356
AC103133	CH104

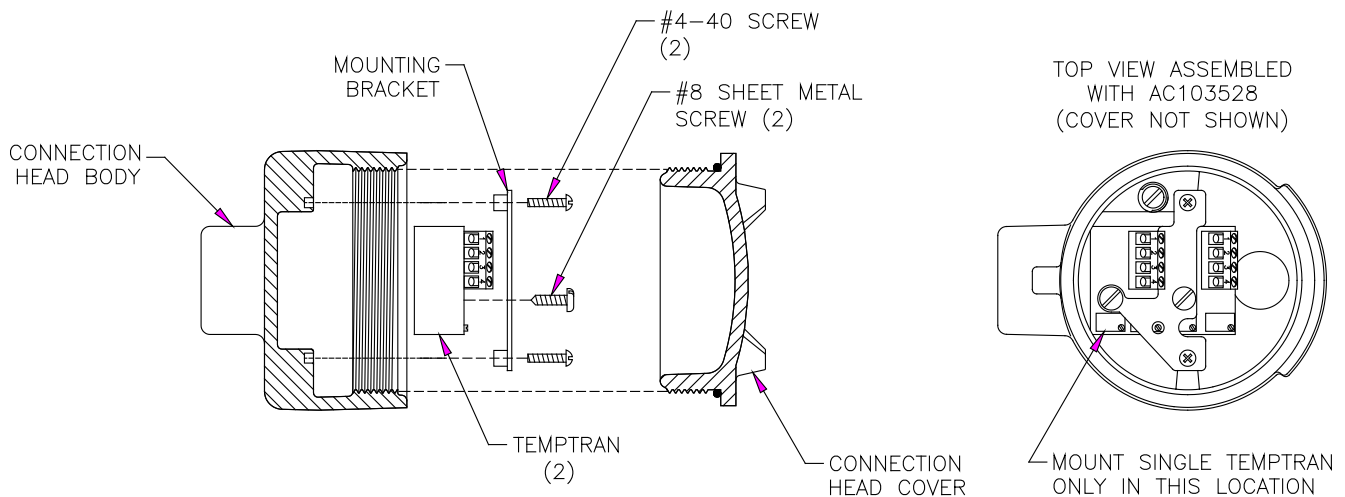
### Mounting two miniature Temptrons in connection head using Mounting Kit AC103528

#### Contents:

- mounting board,
- #8 x ½" sheet metal screws (2),
- #4-40 x ½" screws (2).



#### Assembly Drawing:



#### Procedure:

Follow the procedure below to mount two Temptrons in a connection head using the AC103528.

Step	Action
1	Unscrew cover from connection head body.
2	Choose the correct Temptran mounting kit for the head it's being mounted in (see table above).
3	Mount Temptrons to mounting board using #8 x ½" long sheet metal screws. <b>NOTE:</b> When mounting a single Temptran, install in location as called out in the sketch above.
4	Mount board in connection head using #4-40 x ½" long screws.
5	Make necessary wiring connections per Temptran wiring instructions.
6	Screw cover back onto head and close tightly.

# Dual Temptran™/Explosionproof Connection Head Assembly, Continued

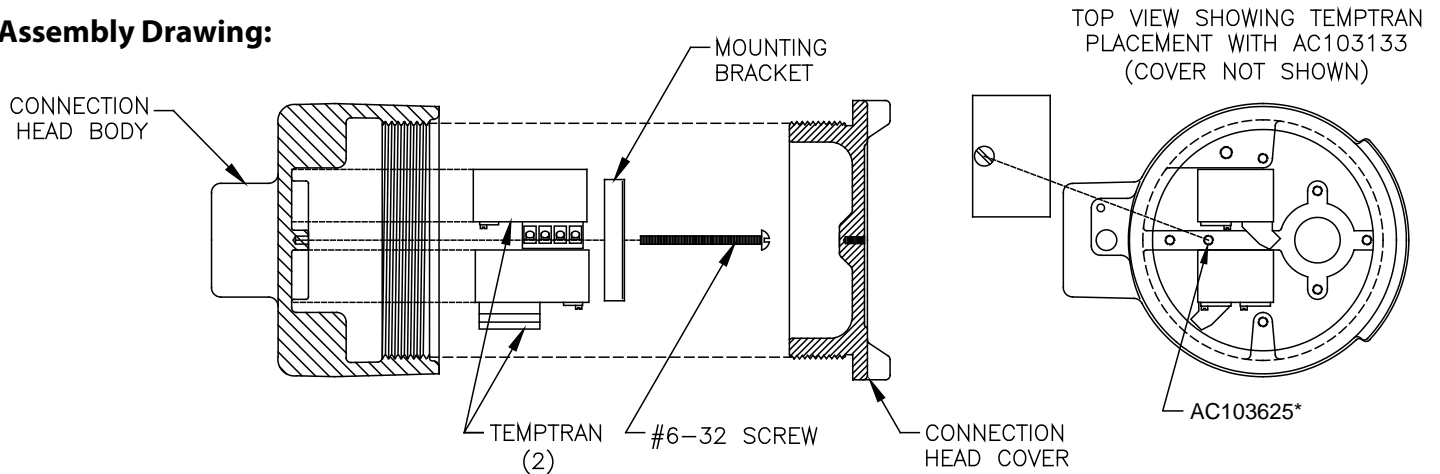
## Mounting two miniature Temptrons in connection head using Mounting Kit AC103133 & AC103625\*

### Contents:

- mounting bracket,
- #6-32 x 1½" screw.



### Assembly Drawing:



### Procedure:

Follow the procedure below to mount two Temptrons in a connection head using the AC103133.

Step	Action
1	Unscrew cover from connection head body.
2	Choose the correct Temptran mounting kit for the head it is being mounted in (see table on page 1).
3	Make necessary wiring connections per Temptran wiring instructions.
4	Insert Temptrons into connection head per above sketch.
5	Mount bracket and Temptrons in connection head using #6-32 x 1½" long screw.
6	Screw cover back onto head and close tightly.

\* AC103625 is a tapped hole that must be added to CH106, CH306, and CH356 connection heads to allow AC103133 bracket to be installed.

**Worldwide Headquarters**  
7300 Commerce Lane  
Minneapolis, MN 55432 USA  
Tel: 1.763.571.3121  
Fax: 1.763.571.0927  
sales@minco.com  
www.minco.com

**European Headquarters**  
Usine et Service  
Commercial, Z.I.  
09310 Aston, France  
Tel: (33) 5 61 03 24 01  
Fax: (33) 5 61 03 24 09

**Asia Pacific Headquarters**  
20 Science Park Road  
#02-31 Teletech Park  
Singapore Science Park II  
Singapore 117674  
Tel: (65) 6511 3388  
Fax: (65) 6511 3399

ISO 9001:2000 / AS9100B

© Minco 2006  
Form #901030-3  
ECO #44025



Flex Circuits  
Thermofoil™ Heaters  
Sensors  
Instruments