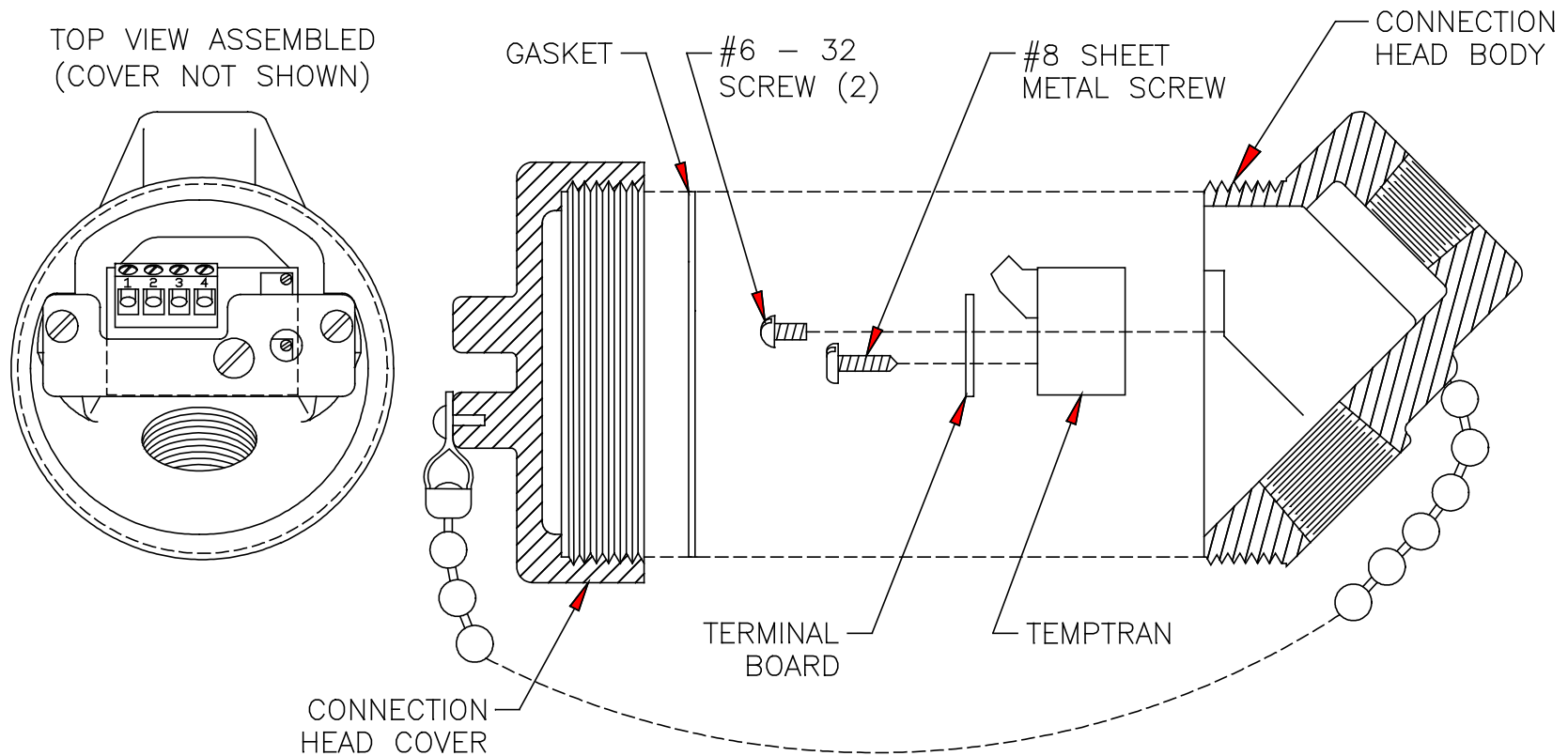


MINIATURE TEMPTRAN/CH102 CONNECTION HEAD ASSEMBLY



1. Unscrew cover from connection head body.
2. Mount Temptran to terminal board using #8 x 1/2" long sheet metal screw.
3. Mount terminal board in head using two #6-32 x 3/16" long screws.
4. Make any necessary wiring connections.
5. Screw cover back onto head and close tightly.

01/11/16

FORM 910115

MINCO

7300 Commerce Lane North
Minneapolis, MN 55432
Tel 763.571.3121
Fax 763.571.0927