



## AC102734 CT224 Communication Package

### Introduction

The AC102734 CT224 Communication Package is used to communicate between a computer and the CT224. This package will only work with a CT224XXBX, where X can be any variable. The B in the part number indicates an RS485 version which will work with this package. The RS232 to RS485 converter supplied in this package has been tested with the CT224 and has shown to function properly. Minco does not guarantee any other RS232 to RS485 converter to work properly with the CT224.

### Wiring

Wiring of the RS232 to RS485 converter to a CT224 is shown below. The CT224 can be connected in a chain configuration. Up to 128 CT224 can be connected per chain. The RS232 to RS485 converter should have a 120 ohm resistor between the A and B lines and the last CT224 in the chain should also have a 120 ohm resistor between A and B. For more information regarding wiring, please refer to the CT224 User Manual.

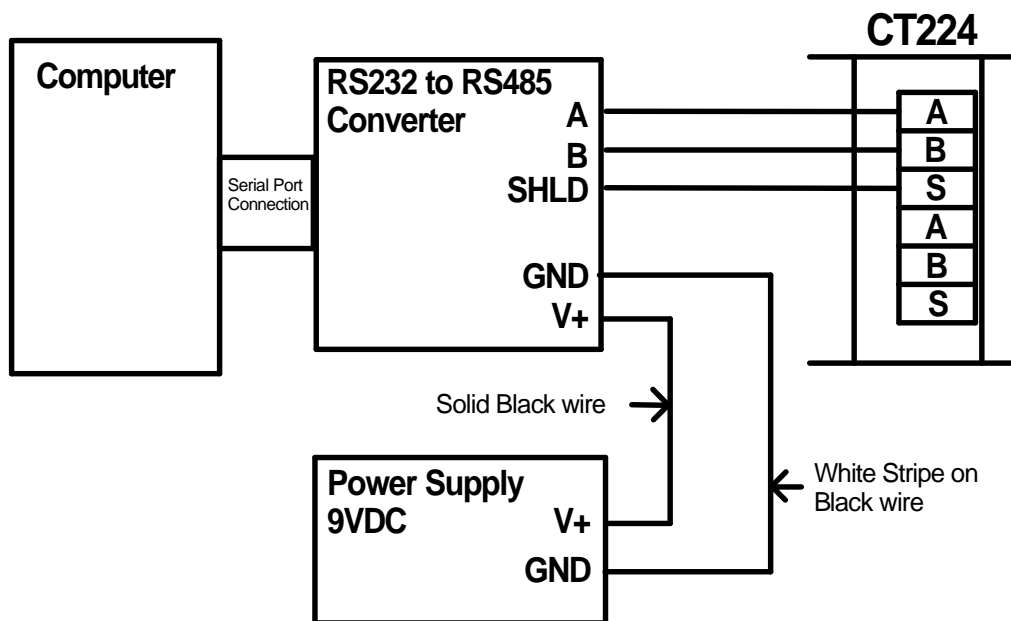


Figure 1 RS232 to RS485 Converter wiring to CT224

### How to Order

AC102734	Model Number: AC102734
AC102734 ← Sample Part Number	

**Minco (Main Office)**  
7300 Commerce Lane  
Minneapolis, MN  
55432  
USA  
Tel: 1.763.571.3121  
Fax: 1.763.571.0927

**Customer Service/  
Order Desk:**  
Tel: 1.763.571.3123  
Fax: 1.763.571.0942  
custserv@minco.com  
www.minco.com

**Minco S.A.**  
Usine et Service  
Commercial, Z.I.  
09310 Aston, France  
Tel: (33) 5 61 03 24 01  
Fax: (33) 5 61 03 24 09

**Minco EC**  
Hirzenstrasse 2  
CH-9244 Niederuzwil  
Switzerland  
Tel: (41) 71 952 79 89  
Fax: (41) 71 952 79 90

**ISO 9001:2000**  
F:\MOD\VAC102734\LIT\1044MN.DOC  
Stock # 360-00110(-) 081005



www.minco.com