

MINCO Temptran™
4-20 mA Current Transmitter
TT409, TT829, TT839

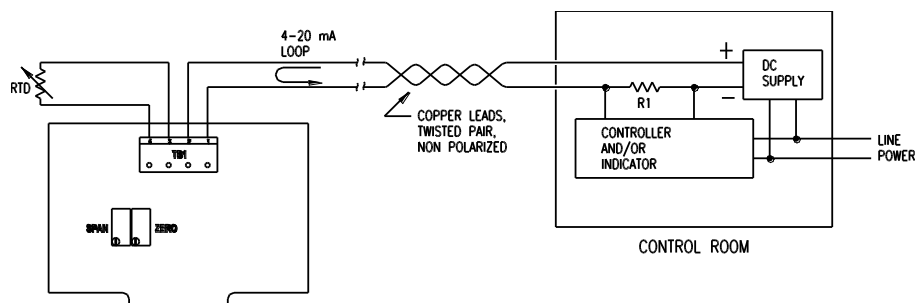
INSTALLATION INSTRUCTIONS

Installation

Installation consists of mounting the transmitter and connecting it to power. The housing is mounted using two fold-out tabs on the bottom. Power and RTD wires are connected to the transmitter by 4 screw terminals located near the edge of the circuit board (Figure 1). The transmitter's power and RTD connections are designed for non-polar hook-up, so polarity is not important. Locate the transmitter near the RTD in an area where the ambient temperature stays between -40 and 85 °C (-40 and 185 °F).

- Connect a 100 ohm RTD to the "RTD" terminals as shown below (Figure 1).
- Connect a DC source, not exceeding 35 VDC, to the "PWR" terminals.

Wiring Diagram



Power Supply

DC power supply requirements are determined by the transmitter's minimum voltage requirement and voltage drop across the load resistor and installation lead wires.

Example: The transmitter requires 8.5 Volts minimum. A typical 250-ohm load resistor drops 5.0 Volts @ 20 mA. Allowing a margin of 0.5 Volts for the supply permits 25 ohms of lead wire resistance for remote installation. Totaling these, we get a minimum power supply requirement of 14 VDC.

Using a 24 VDC power supply will take care of nearly all installations, but the transmitter will operate with as much as 35 VDC.

MINCO PRODUCTS, INC.

7300 Commerce Lane, Mpls., MN 55432

Telephone: (763) 571-3121 FAX: (763) 571-0927

©2001 Minco Products, Inc.