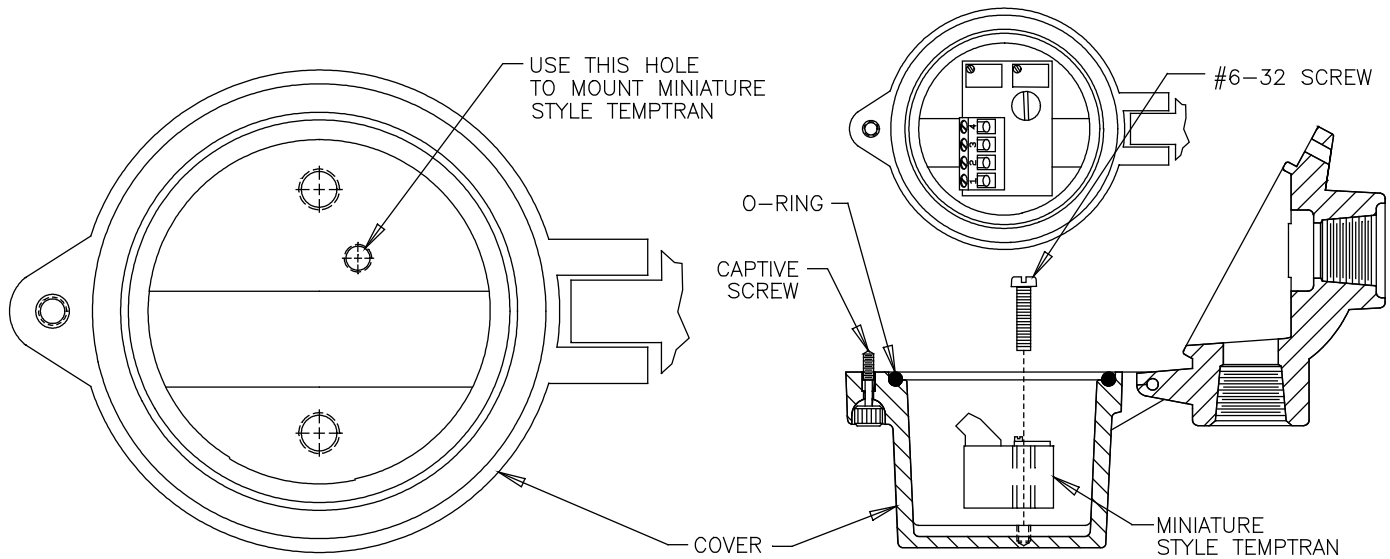
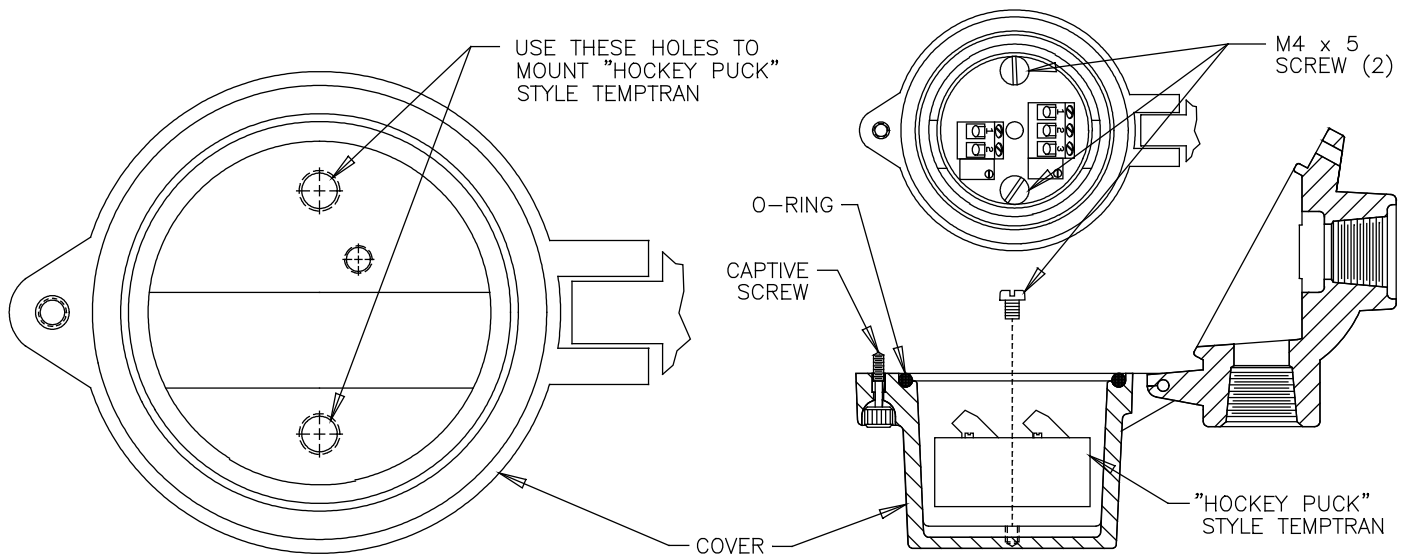


MINIATURE TEMPTRAN/ CH333 CONNECTION HEAD ASSEMBLY



1. Remove captive screw from body.
2. Flip open cover and mount miniature style Temptran to cover using #6-32 pan head screw.
3. Make any necessary wiring connections.
4. Close cover and screw down to head using captive screw.

"HOCKEY PUCK" STYLE TEMPTRAN/ CH333 CONNECTION HEAD ASSEMBLY



1. Remove captive screw from body.
2. Flip open cover and mount "Hockey Puck" style Temptran to cover using M4 x 5 metric screws.
3. Make any necessary wiring connections.
4. Close cover and screw down to head using captive screw.



7300 Commerce Lane North
Minneapolis, MN 55432
763-571-3121

01/11/16
FORM 910905-1
030-2988